

Schlüter®-QUADEC

Wall corners and connections
for decorative edge protection

2.10

Product data sheet

Application and Function

Schlüter®-QUADEC is a connection profile that offers excellent edge protection for external corners of tiled walls.

The integrated joint spacer of the aluminium profiles defines a joint chamber with the tile. The profiles, which are available in a wide range of materials, colours and finishes, allow for a precise colour match of the exposed tile edges with the tiles and grout. As an alternative, they can also be used to create interesting decorative contrasts. Schlüter®-QUADEC-E and Schlüter®-QUADEC-A coordinate well with the border profiles Schlüter®-QUADEC-FS and Schlüter®-DESIGNLINE.

In addition to its decorative function, the profile effectively protects the edge areas from damage caused by mechanical impact. The stainless steel Schlüter®-QUADEC-E \ -EB and -EP profiles provide especially durable edge protection and can also be used at floor edges and stair nosings.

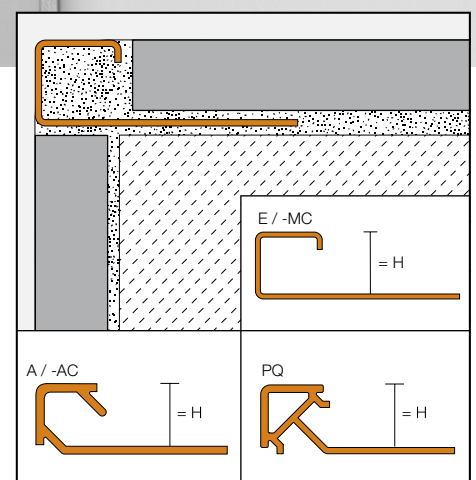
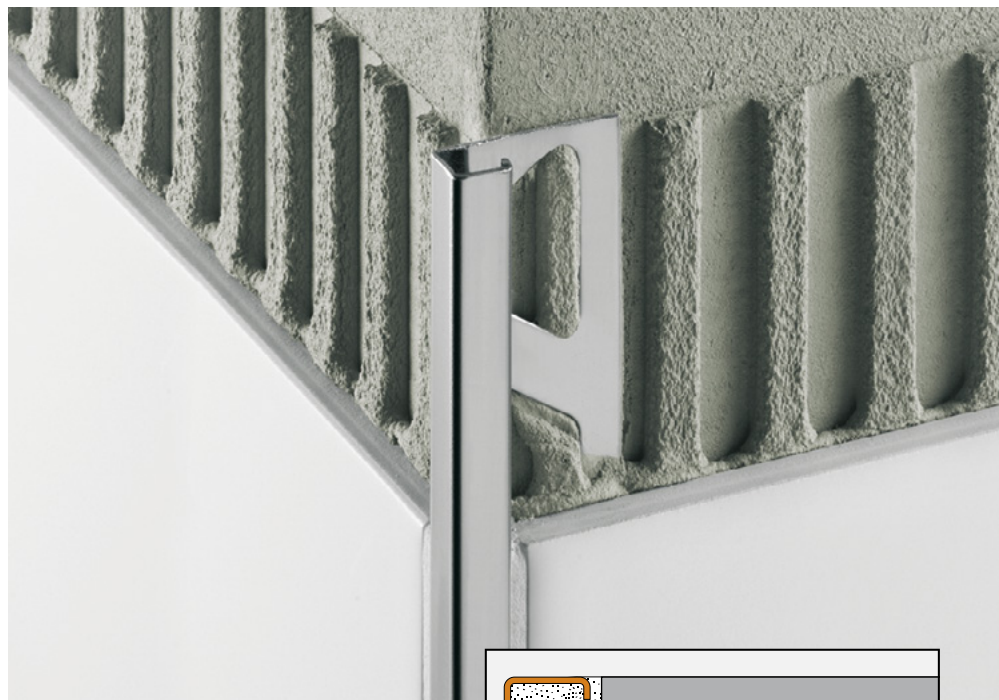
In addition to this, Schlüter®-QUADEC can be used to protect transition areas with other covering materials, such as carpet, parquet, natural stone, or epoxy resin. For simple and appealing connections of Schlüter®-QUADEC profiles, matching prefabricated corner pieces are available for internal and external corners. For selected materials, connectors and end caps are also available.

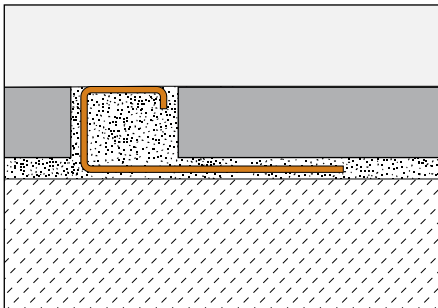
Material

Schlüter®-QUADEC is available in the following materials:

MC = Chrome plated brass
E = Stainless steel
EB = Brushed stainless steel
EP = Polished stainless steel

ES = Structured stainless steel
EV4A = Stainless steel 1.4404 (V4A)
AE = Anodised aluminium
ACG = Polished chrome anodised aluminium
ACGB = Brushed chrome anodised aluminium
AT = Satin titanium anodised aluminium
ATG = Polished titanium anodised aluminium
ATGB = Brushed titanium anodised aluminium
AEX = Cross brushed anodised aluminium
AMX = Cross brushed brass anodised aluminium
ATX = Cross brushed titanium anodised aluminium

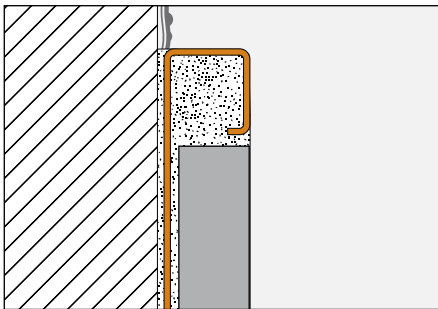




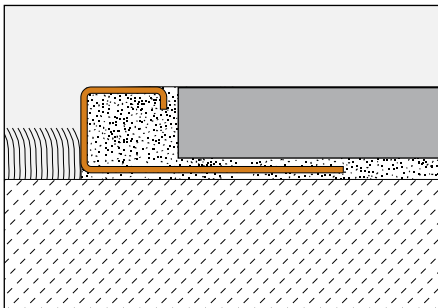
AQGX = Cross brushed quartz grey anodised aluminium
 AC = Colour coated aluminium
 TS = Tuscan textured aluminium
 PQ = Coloured PVC

Material Properties and Areas of Application:

Schlüter®-QUADEC is available in a wide range of different materials and finishes. In certain applications, the suitability of the profile must be verified based on the anticipated chemical and mechanical stresses. The information provided below is intended as a general guideline. Schlüter®-QUADEC-MC (brass with chrome finish) is suitable for wall corners and the edges of tile coverings, e.g. to match chrome plated fittings in bathrooms. Visible surfaces should be protected against abrasion. Mortar and grouting material should be removed immediately.



Schlüter®-QUADEC-E is made of roll formed stainless steel V2A (material no. 1.4301) or V4A (material no. 1.4404). Schlüter®-QUADEC-E is highly durable and especially suited for application areas that must be resistant to chemicals and acids, such as food industry facilities, breweries, dairies, industrial kitchens and hospitals, as well as residential areas. The use of V4A is recommended if consistent exposure is expected, for example in the case of swimming pools (fresh water). Stainless steel is not resistant to all chemical stresses, and may be affected by hydrochloric and hydrofluoric acid or certain chlorine and brine concentrations. Special anticipated stresses should therefore be verified in advance. Depending on the anticipated chemical stresses, customers can choose between the alloy materials 1.4301 or 1.4404.



Schlüter®-QUADEC-AE / -ACG / -ACGB / -AEX / -AMX / -ATX / -AQGX / -AT / -ATG / -ATGB (anodised aluminium): The aluminium features an anodised surface layer that retains a uniform appearance during normal use. Visible surfaces should be protected against abrasion. Aluminium is sensitive to alkaline. Cementitious materials, in conjunction with moisture, become alkaline. Depending on the concentration and duration of exposure, this may result in corrosion (aluminium hydroxide formation). For this reason, remove mortar or grouting material immediately from all visible areas and do not remove the protective plastic cover from the profile until completely clean. In addition, ensure that the profile is solidly embedded in the setting material to prevent water from accumulating in small cavities.

Schlüter®-QUADEC-AC (colour coated aluminium): The aluminium is pretreated (chrome

plated) and powder coated with a polyurethane covering. The coating is colour stable, as well as UV and weather resistant. Visible edges should be protected against abrasion.

Schlüter®-QUADEC-TS (tuscan textured aluminium):

The aluminium is coated with metal dust, colour coated, and sealed. The coating is colour stable. Visible edges should be protected against abrasion. The surfaces of Schlüter®-QUADEC-TS profiles have a natural appearance. Variations in colour and texture are intentional.

Schlüter®-QUADEC-PQ (coloured PVC) are made of solidly coloured rigid PVC and are resistant to bending or scratching. The material is UV resistant, but not permanently colourfast in outdoor areas. The profile is not suitable for the corners and edges of coverings that are exposed to heavy mechanical stresses, e.g. at stair nosings or flooring edges.

Note: Due to different manufacturing technologies, slight colour discrepancies between the profiles and the corners cannot be completely ruled out.

Installation

1. Select Schlüter®-QUADEC in accordance with the tile thickness.
2. Apply tile adhesive with a notched trowel in the finishing area of the tile covering. If Schlüter®-QUADEC is to be installed at an external wall corner, complete tiling the first wall and then apply tile adhesive to the second wall.
3. Fully embed the perforated anchoring leg of Schlüter®-QUADEC in the adhesive and align the profile.
4. Trowel tile adhesive over the perforated anchoring leg and also fill the open profile chamber with adhesive.
5. Firmly install the adjoining tiles and align them flush with the upper edge of the profile. Ensure that the tiles are fully embedded in the profile area.
6. The tile is set to the lateral joint spacer, which creates an evenly spaced joint of 1.5 mm. In the case of stainless steel profiles, a joint of approx. 1.5 mm is recommended. Completely fill the space between the tile and the profile with grout.
7. When working with sensitive surface materials, use only materials and tools



that will not scratch or cause other damage. Immediately remove all mortar and tile adhesive residue.

8. Matching prefabricated pieces are available for internal and external corners.

Maintenance

Schlüter®-QUADEC requires no special maintenance or care. Avoid the use of abrasive cleaning agents on sensitive surfaces. Damaged anodised surfaces can be restored with paint. The surfaces of stainless steel profiles can be polished with commercial chrome polishing products.

Stainless steel surfaces exposed to the environment or aggressive substances should be cleaned periodically using a mild household cleaner. Regular cleaning maintains the neat appearance of stainless steel and reduces the risk of corrosion.

All cleaning agents must be free of hydrochloric and hydrofluoric acid.

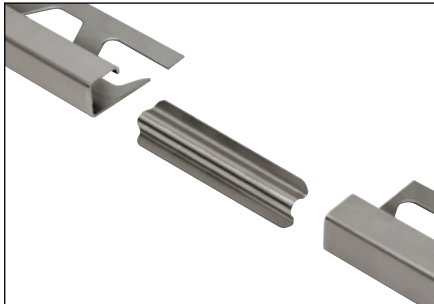
Avoid contact of the profile with other metals, e.g. regular steel, to prevent corrosion. This also applies to tools such as trowels to apply adhesive or grout, and steel wool, e.g. for the removal of mortar residue. We recommend the use of the stainless steel cleaning polish Schlüter®-CLEAN-CP.



Schlüter®-QUADEC-ES 1



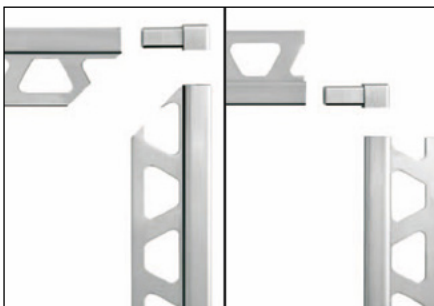
Schlüter®-QUADEC-ES 2



Schlüter®-RONDEC-E/V for use with Schlüter®-QUADEC-E (Connector for stainless steel profiles)



Schlüter®-QUADEC-EB/EK (Brushed stainless steel end cap)



Schlüter®-QUADEC external / internal corner

Text template for tenders:

_____linear metres of Schlüter®-QUADEC as a finishing or corner profile with trapezoid perforated anchoring leg and right angled visible area, to be supplied and professionally installed while observing the manufacturer's instructions. Matching prefabricated internal and external corners are

- to be included in the unit price.
- to be invoiced separately.

Material:

- - MC = Chrome plated brass
- - E = Stainless steel
- - EB = Brushed stainless steel
- - EP = Polished stainless steel
- - ES = Structured stainless steel
- - AE = Anodised aluminium
- - ACG = Polished chrome anodised aluminium
- - ACGB = Brushed chrome anodised aluminium
- - AT = Satin titanium anodised aluminium
- - ATG = Polished titanium anodised aluminium
- - ATGB = Brushed titanium anodised aluminium
- - AEX = Cross brushed anodised aluminium
- - AMX = Cross brushed brass anodised aluminium
- - ATX = Cross brushed titanium anodised aluminium
- - AQQX = Cross brushed quartz grey anodised aluminium
- - AC = Colour coated aluminium
- - TS = Tuscan textured aluminium
- - PQ = Coloured PVC

Profile height: _____ mm

Colour: _____

Art.-No.: _____

Material: _____/m

Labour: _____/m

Total: _____/m



Product Overview

Schlüter®-QUADEC-A

AE = Anodised aluminium / ACG = Polished chrome anodised aluminium / ACGB = Brushed chrome anodised aluminium / AT = Satin titanium anodised aluminium / ATG = Polished titanium anodised aluminium / ATGB = Brushed titanium anodised aluminium / AEX = Cross brushed anodised aluminium / AMX = Cross brushed brass anodised aluminium / ATX = Cross brushed titanium anodised aluminium / AQGX = Cross brushed quartz grey anodised aluminium
Supplied length: 2.50 m

| H = mm | 4.5 | 6 | 8 | 10 | 11 | 12.5 |
|-----------------|-----|---|---|----|----|------|
| AE | • | • | • | • | • | • |
| ACG | • | • | • | • | • | • |
| ACGB | • | • | • | • | • | • |
| AT | • | • | • | • | • | • |
| ATG | • | • | • | • | • | • |
| ATGB | • | • | • | • | • | • |
| AEX | | • | • | • | | • |
| AMX | | • | • | • | | • |
| ATX | | • | • | • | | • |
| AQGX | | • | • | • | | • |
| External corner | • | • | • | • | • | • |
| Internal corner | • | • | • | • | • | • |
| Connector | | | • | • | | • |

Schlüter®-QUADEC-E

E = Stainless steel / EB = Brushed stainless steel / EP = Polished stainless steel / ES = Structured stainless steel
Supplied length: 2.50 m

| H = mm | 4.5 | 6 | 8 | 9 | 10 | 11 | 12.5 | 14 | 15 |
|-----------------|-----|---|---|---|----|----|------|----|----|
| E | • | • | • | • | • | • | • | • | • |
| EB | | • | • | • | • | • | • | • | • |
| EP | | • | • | | • | | • | | • |
| ES | | | • | | • | • | • | | |
| V4A | | • | • | | • | | • | | |
| External corner | • | • | • | • | • | • | • | • | • |
| Internal corner | • | • | • | • | • | • | • | • | • |
| Connector | | | • | | • | • | • | | |
| End cap EB* | | • | • | • | • | • | • | • | • |

* Matches Schlüter®-QUADEC-E and -EP.

Schlüter®-QUADEC-AC

AC = Colour coated aluminium
Supplied length: 2.50 m

| H = mm | 4.5 | 6 | 8 | 10 | 11 | 12.5 |
|-----------------|-----|---|---|----|----|------|
| BW | • | • | • | • | • | • |
| GS | | • | • | • | • | • |
| G | • | | | | | |
| PG | • | • | • | • | • | • |
| PW | • | | | | | |
| QG | • | • | • | • | • | • |
| VG | • | • | • | • | • | • |
| W | • | • | • | • | • | • |
| External corner | • | • | • | • | • | • |
| Connector | | | • | • | | • |

Colours : BW = brilliant white, G = grey, GS = black, PG = pastel grey, PW = light beige, QG = quartz grey, VG = traffic grey, W = white

Schlüter®-QUADEC-MC

MC = Chrome plated brass
Supplied length: 2.50 m

| H = mm | 6 | 8 | 10 | 11 | 12.5 | 15 |
|-----------------|---|---|----|----|------|----|
| MC | • | • | • | • | • | • |
| External corner | • | • | • | • | • | • |
| Internal corner | • | • | • | • | • | • |

Schlüter®-QUADEC-PQ

PQ = Coloured PVC
Supplied length: 2.50 m

| H = mm | 6 | 8 | 10 | 11 | 12.5 |
|-----------------|---|---|----|----|------|
| BH | • | • | • | • | • |
| BW | • | • | • | • | • |
| GS | • | • | • | • | • |
| PG | • | • | • | • | • |
| SP | • | • | • | • | • |
| W | • | • | • | • | • |
| External corner | • | • | • | • | • |

Schlüter®-QUADEC-TS

TS = Tuscan textured aluminium
Supplied length: 2.50 m

| H = mm | 8 | 10 | 12.5 |
|-----------------|---|----|------|
| TSB | • | • | • |
| TSG | • | • | • |
| TSOB | • | • | • |
| External corner | • | • | • |
| Internal corner | • | • | • |
| Connector | • | • | • |

Colours: TSB = tuscan beige aluminium. TSG = tuscan pewter aluminium. TSOB = tuscan bronze aluminium